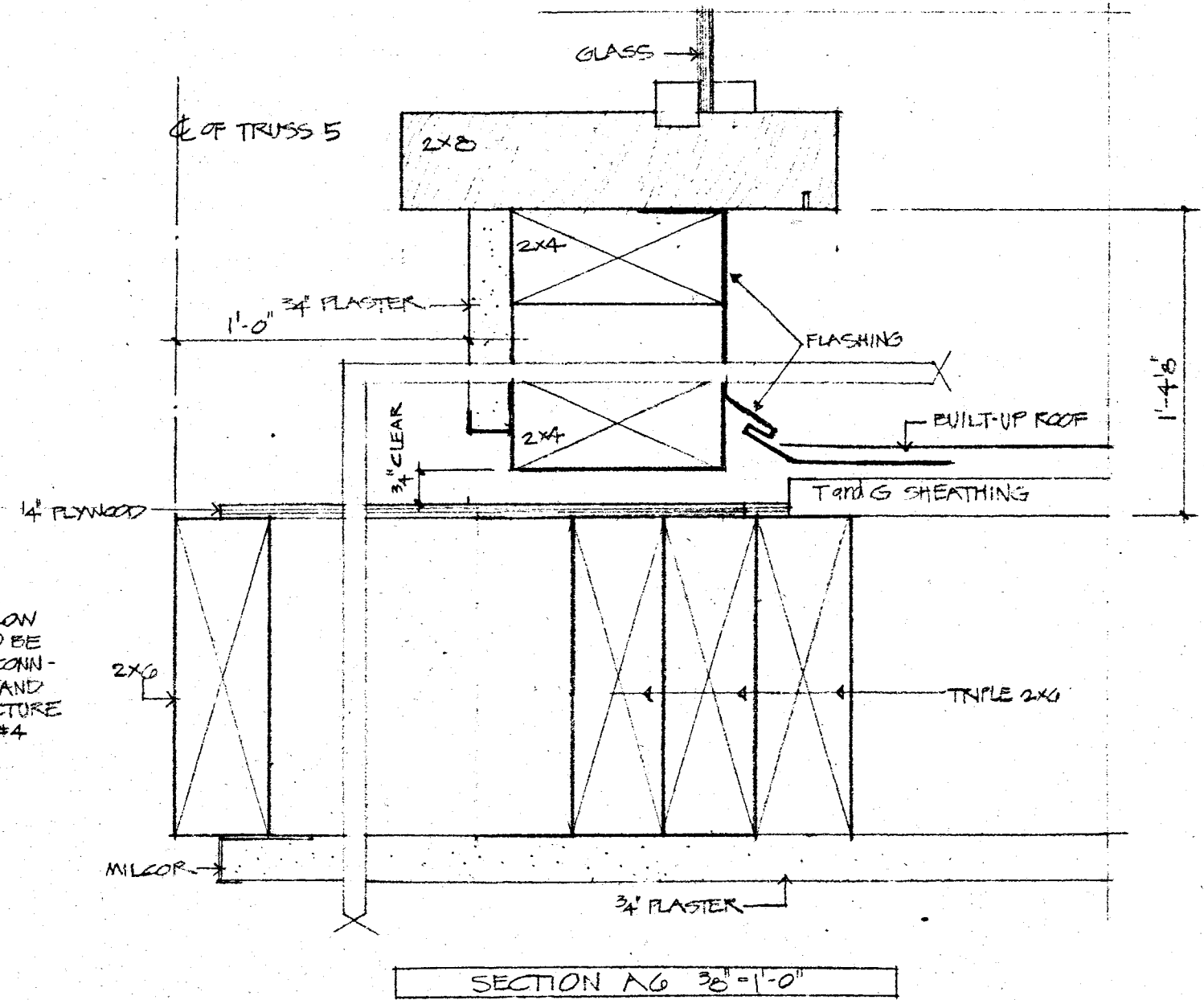
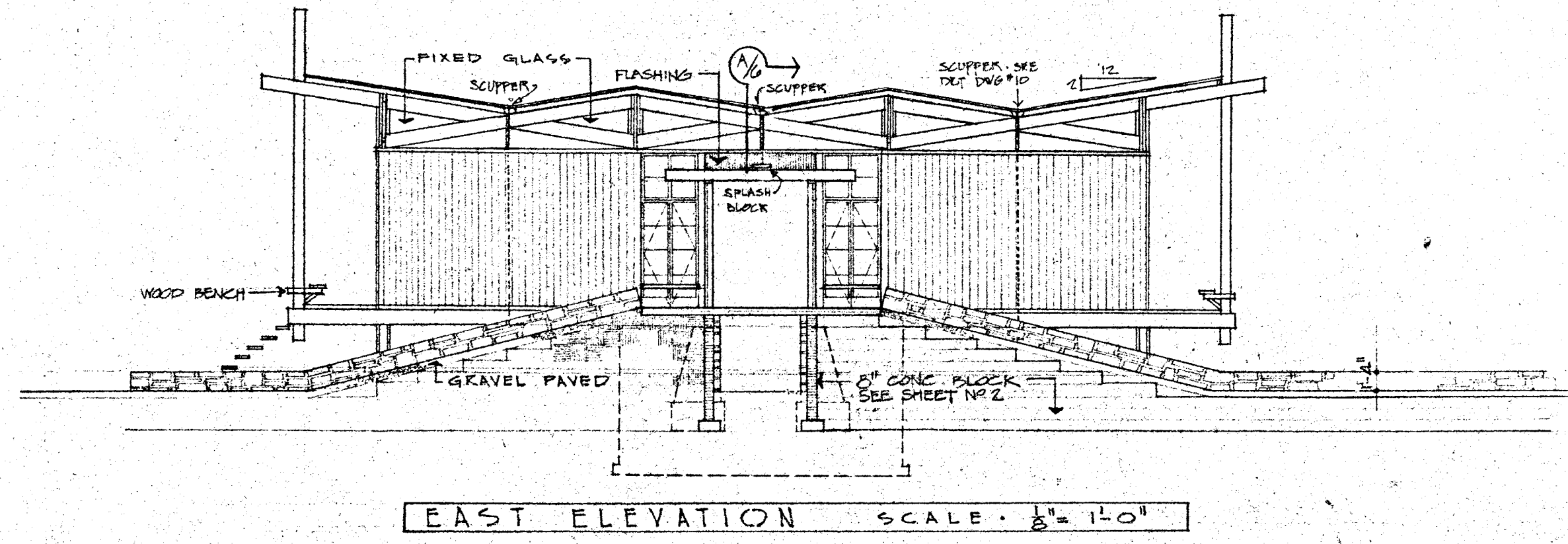
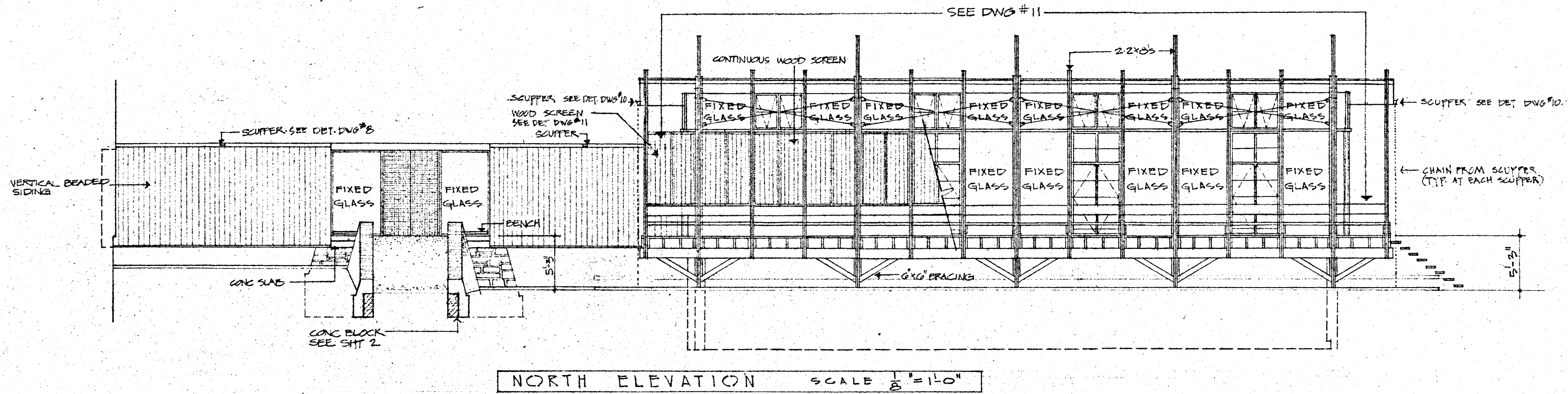


DOOR SCHEDULE

NO	SIZE	MATERIAL	FRAME	REMARKS
1	2 @ 2'-4" x 6'-0" x 1 3/8"	GUM VENEER, S. CORE	WOOD	PAINT GRAY
2	3'-0" x 6'-8" x 1 3/8"	SOLID CORE	WOOD	FIXED SOLID CORE PANEL ABOVE
3	2'-0" x 6'-8" x 1 3/8"	WOOD	WOOD	LOUVERED - 6" OFF FLOOR
4	2 @ 2'-0" x 6'-8" x 1 3/8"	WOOD, SOLID CORE	WOOD	ONE WAY OPPOSITE HINGED, SEE 2 ABOVE RUBBER SOUND PROOF STRIP BETWEEN
5	3'-0" x 6'-8" x 1 3/8"	WOOD, HOLLOW CORE	WOOD	SEE 2 ABOVE



NOTE: THIS DETAIL BELOW FIXED GLASS TO BE REPEATED AT CONNECTION OF LINK AND EXISTING STRUCTURE SEE PLAN DWG #4



ELEVATIONS

DINING HALL AND KITCHEN 2-7-61

THE GRAIL LOVELAND, OHIO

GARBER TWEDDELL WHEELER

Architects AIA. 2109 St. James Ave. Cincinnati 6, Ohio

STATE OF OHIO REGISTERED ARCHITECTS GARBER TWEDDELL AND WHEELER 2022 - 2405 2406

5

A 13